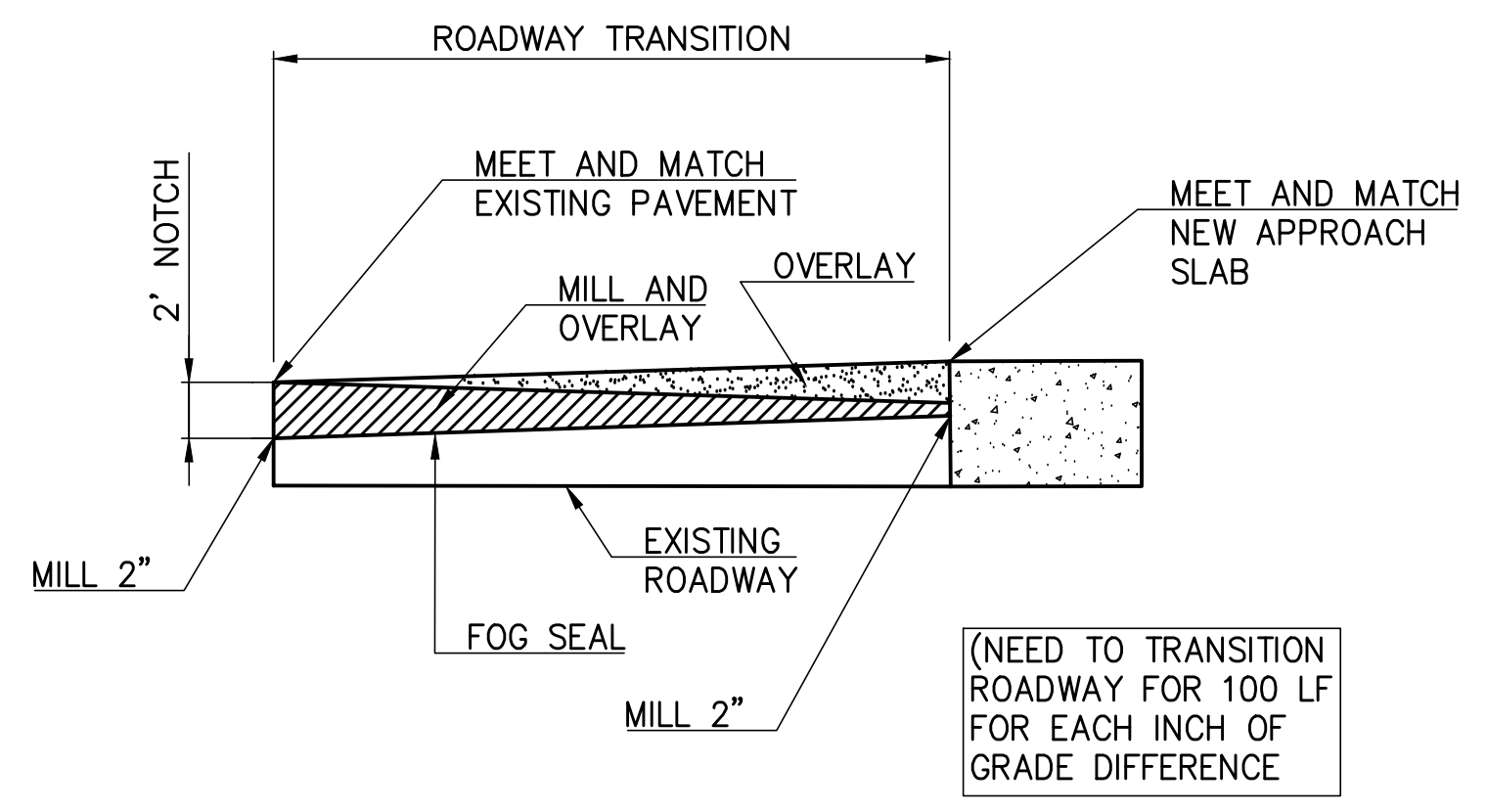
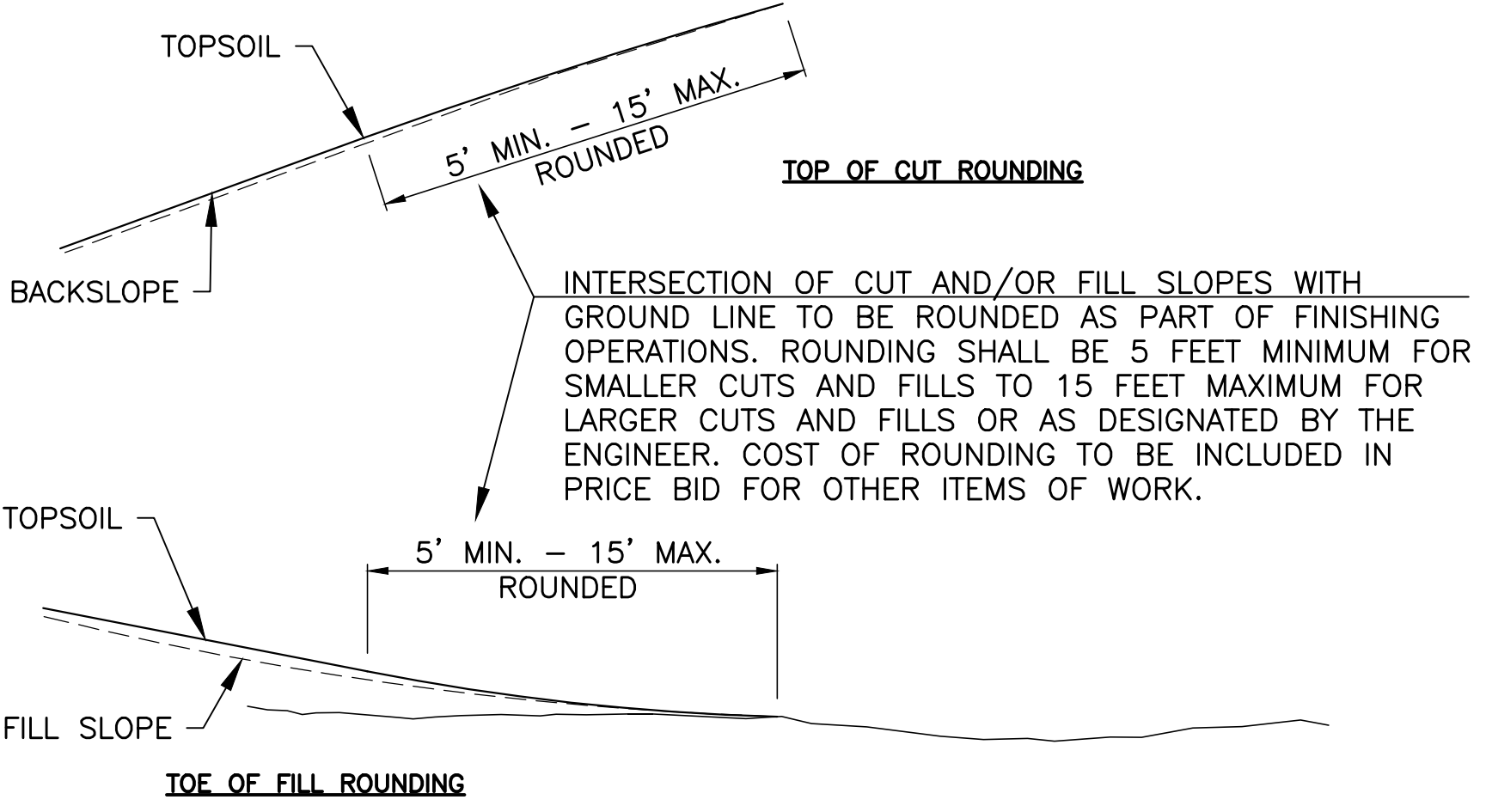
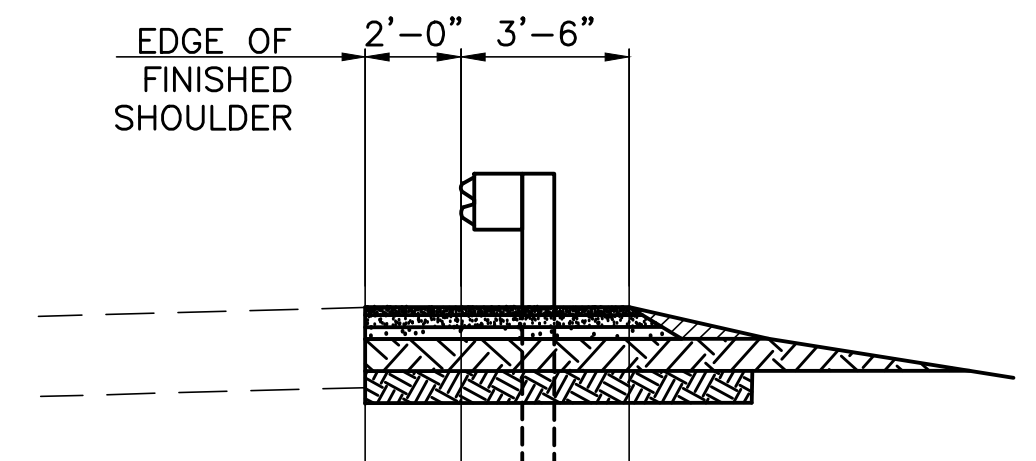
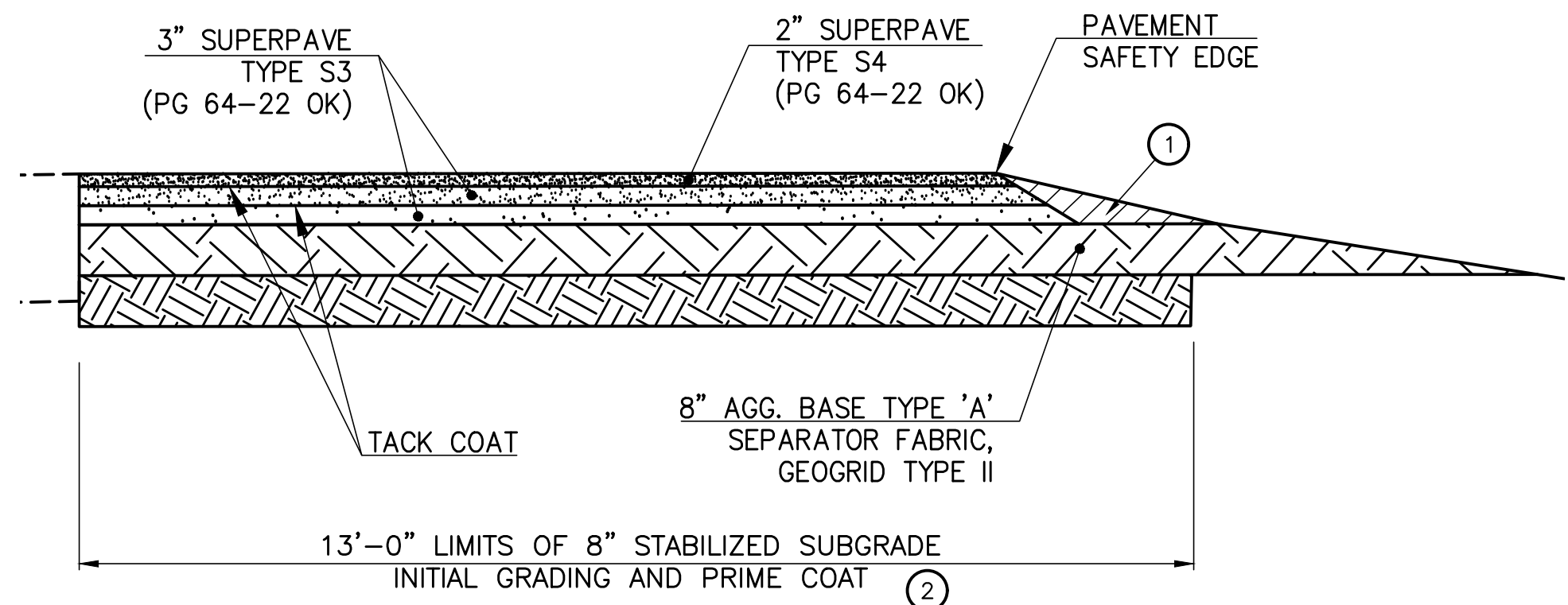
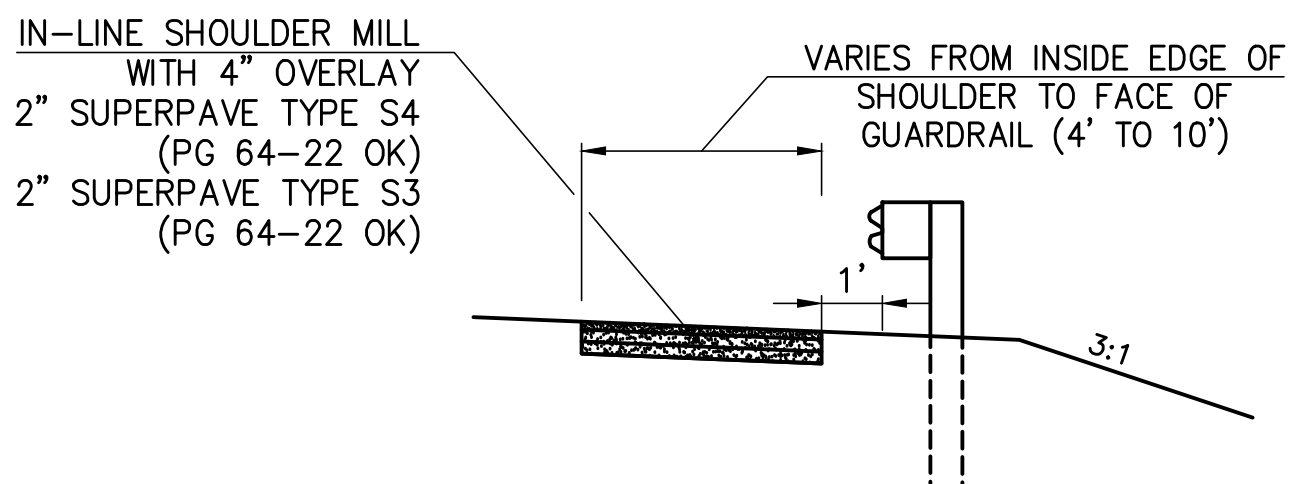
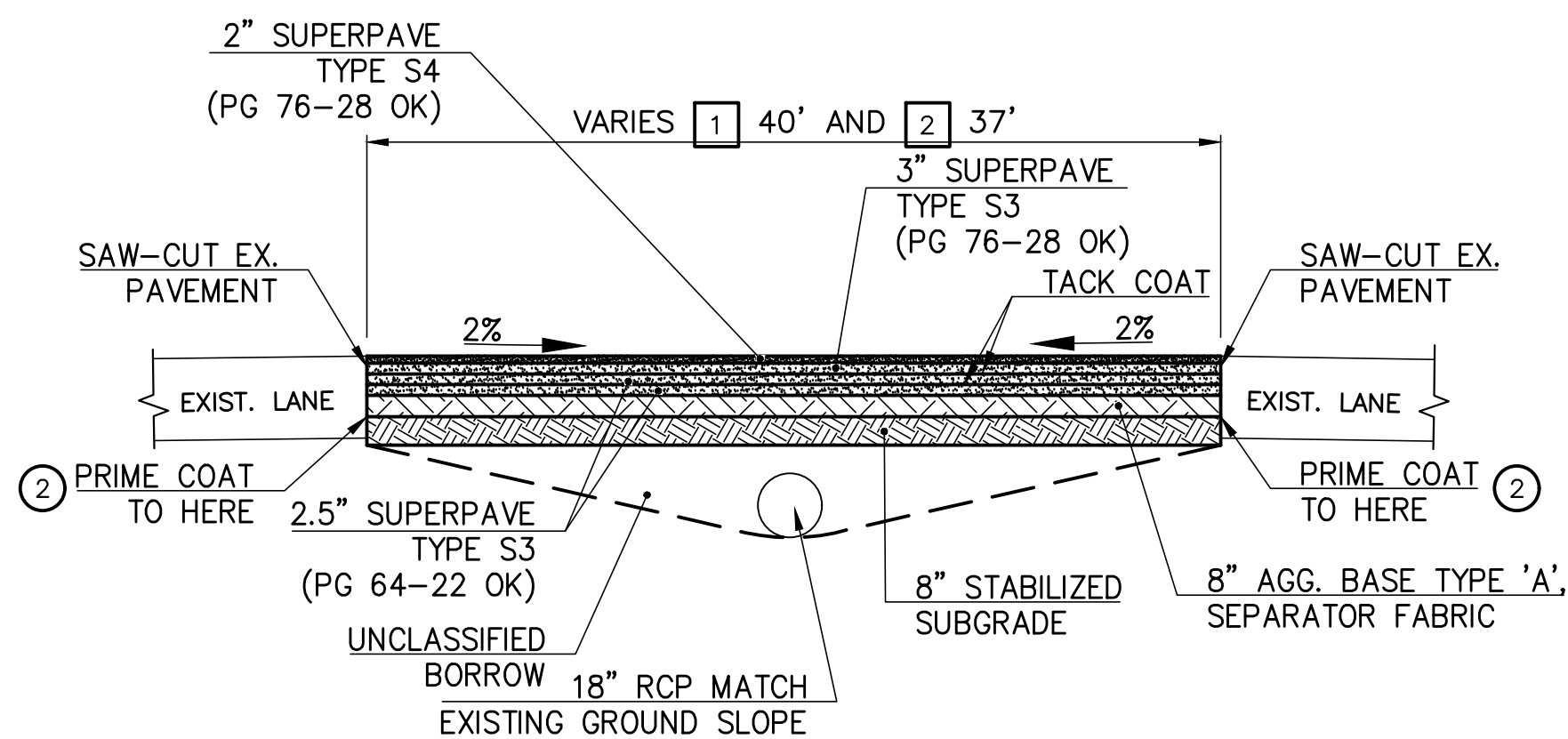
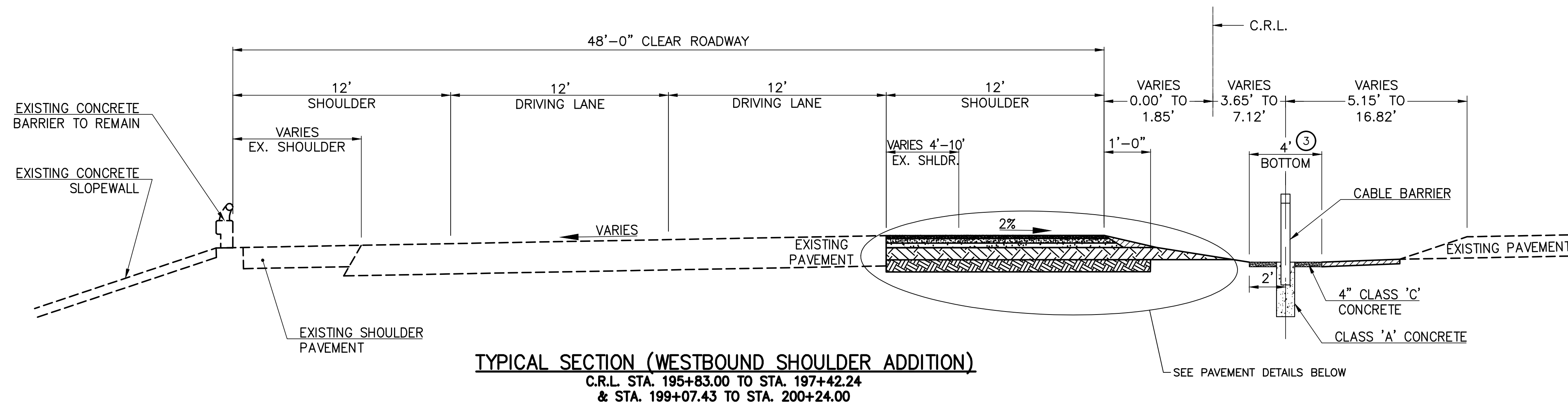


REVISIONS		
REV. NO.	DESCRIPTION	DATE



- GENERAL NOTES**
- TO BE BACKFILLED AS PART OF THE FINISHING OPERATIONS. QUANTITY IS MEASURED IN T.B.S.C. TYPE E.
 - PRIME COAT ON TOP OF AGGREGATE BASE.
 - SEE ROUNDING DETAIL THIS SHEET.

DESIGN	DLA	11/16	TULSA COUNTY	US-64 OVER 97TH W. AVE.
DRAWN	SDK	11/16	OKLAHOMA DEPARTMENT OF TRANSPORTATION	
CHECKED	HRA	11/16	TYPICAL SECTIONS	
APPROVED				
WALTER P MOORE				
STATE JOB NO. 28884(04)			SHEET NO. 2	

V:\MIS\2012\2003-07 0003 E-144 US-64 from 3\Con\03\Sta\02-112-12003-07-TYP.dwg Job: 12, 2017 - 9:13am wpc/kk